

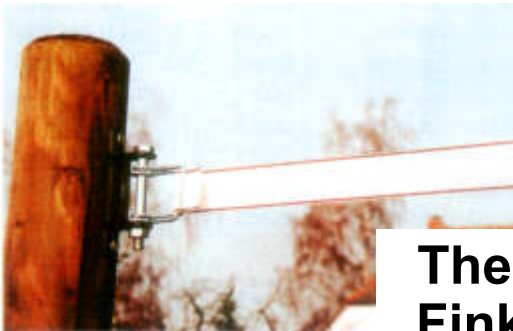


Original Fink Electric Fence

Just the original ! Directly from the inventor.

Sun, air and a lot of moving – like this horses stay healthy and capable all their life. Whether breeder, hobby rider or athlete – the good horse man knows, how important a regular grazing time is.

Decide for save meadow fences with the
Original Fink Elektronic ribbon.



**The save fence
Fink-Electronic
ribbon for more
than 48 years**



12 years Garantie

**Easy to assemble
Escape-proofed
Environmentally-oriented
Long lasting
cheap
attractive
good**

12 years Garantie



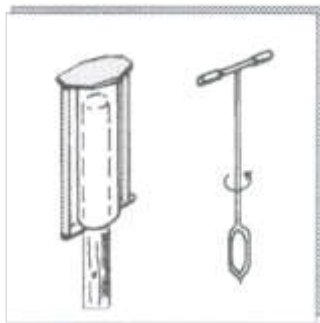
Original Fink Electric Fence

Just the original ! Directly from the inventor.

Enclosure poles



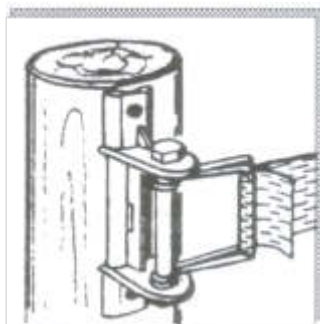
| | | Dia- meter | Lengthe | Art.-Nr. | Price/Piece |
|------------------|---------------------------|---------------|---------|----------|-------------|
| Wooden | Fence poles | 10 | 220 | 6000 | € 13,10 |
| | Fence poles | 8 | 200 | 6002 | € 7,70 |
| | Fence poles | 12 | 220 | 6004 | € 18,50 |
| | Quare poles | 10 | 300 | 6010 | € 9,60 |
| | Quare poles | 12 | 300 | 6011 | € 14,10 |
| Recycling | Fence poles | 10 | 200 | 6021 | € 20,00 |
| Plastic | poles incl. insulators | | 156 | 6026 | € 2,20 |
| | poles incl. insulators | | 125 | 6027 | € 2,10 |
| T-Poles | Metalpole | | 182 | 6018 | € 8,00 |
| | Metalpole | | 213 | 6009 | € 9,00 |
| | + insulator for Metalpole | | | 6013 | € 0,40 |
| Bongossi | Fence poles 6x6 cm | | 200 | 6028 | € 7,40 |
| | Fence poles 8x8 cm | | 200 | 6003 | € 16,50 |



Asseblly-tools

The most easiest way to set the poles is with using a hand-piledriver. If the ground is very hard use a ground-drill.

| | | |
|---|------------------------------|---------|
| Hand pile-driver galvanized for poles to 10 cm | 6007 | € 76,00 |
| Ground-drill galvanized for 7 cm Diameter | 6005 | € 50,00 |
| | galvanized for 9 cm Diameter | 6006 |



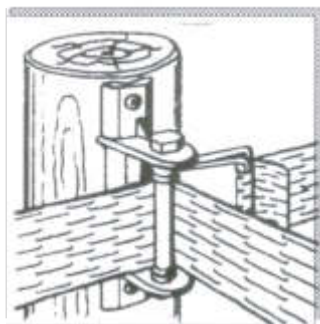
Gate-, Starter-, Junction-Insulator

The **Multi-Functioning-Insulator** for Start and Junction is an originally development from the house of Fink. The MF-Insulator consists of the MF-body, the mashine srew with nut and 2 clamps.

| | | |
|--|------|--------|
| MF-Insulator 4 cm MF-Insulator incl. 2 extra clamps | 6276 | € 3,90 |
| 6 cm MF-Insulator incl. 2 extra clamps | 6376 | € 4,10 |
| Spax-screws 6/40 to assembly per 50 piece | 6073 | € 3,50 |

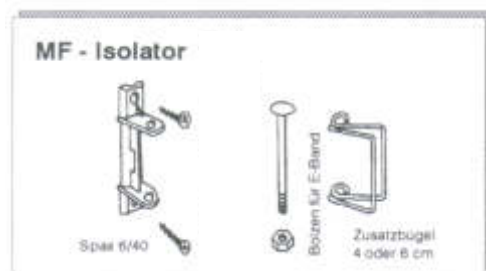
To reorder or Extra orders:

| | | |
|------------------------------|--------------|---------------|
| 4 cm extra clamps per piece | 6077 | € 0,80 |
| 6 cm extra clamps per piece | 6177 | € 0,90 |
| MF-Body | 61780 | € 1,30 |
| Mashine srew with nut | 61792 | € 1,00 |



Like this you assemble the MF-Insulator as a junction :

For shure you can take the MF-Insulators completely to its pieces. This is important to exchange broken pieces and to dispose it (not until many years have past by)! You can also order every single piece Separately.



Prices 2023



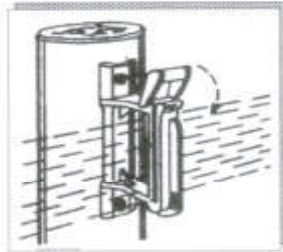
Original Fink Electric Fence

Just the original ! Directly from the inventor.



Edge-Insulator

| | Art.-Nr. | Piece/Piece |
|---|-----------------|--------------------|
| Edge-Insulator 4/6 cm with leading spoole | 6176 | € 2,30 |
| Spax-screws for assembly 6.0/40 per 50 Piece | 6072 | € 3,50 |
| <u>To reorder or Extra orders:</u> | | |
| MF-Body | 61780 | € 1,30 |
| Maschine-srew with nut | 60778 | € 0,80 |
| Hose | 61791 | € 0,20 |



Universal-Insulator

This Universal-Insulator is produced of plastic in a high quality and proved million times.

| | | |
|--|------|--------|
| 4 cm Universal-Insulator | 6071 | € 0,40 |
| 6 cm Universal-Insulator | 6171 | € 0,50 |
| Spax-screws for assembly 3.5/35 per 200 Piece | 6072 | € 3,50 |
| Replacement clips (in case one gets lost) | 6074 | € 0,10 |



4 cm Original Fink-Elektronic ribbon

In usage with all kinds of horses all over the world with the best success for over 38 years, Super-Quality, UV-stabilized with best electric conductivity because of 13 high-grade steel- and 2 tin-plated copper threads in a high quality (10times effect)

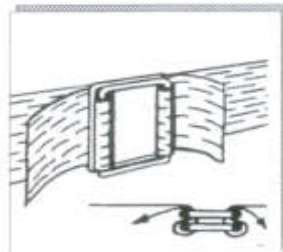
| | | |
|---|------|---------|
| 4 cm Elektronic ribbon white with a brown edge 200 m | 6067 | € 79,00 |
| 4 cm Elektronic ribbon brown with a white edge 200 m | 6068 | € 79,00 |



6 cm Original Fink-Elektronic ribbon

The electronic fence with 13 high-grade steel- and 2 tin-plated copper threads, that nearly has the same effect as a wooden fence. The same as above

| | | |
|---|------|----------|
| 6 cm Elektronic ribbon white with a brown edge 200 m | 6167 | € 109,00 |
| 6 cm Elektronic ribbon brown with a white edge 200 m | 6168 | € 109,00 |



Stressing clamp

To join and stress the electronic ribbons we recommend our stressing clamps, which you can use for the 4 und 6 cm electronic ribbons.

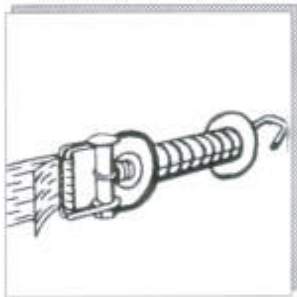
| | | |
|------------------------------|------|--------|
| 4 cm Stressing clamps | 6042 | € 0,90 |
| 6 cm Stressing clamps | 6043 | € 2,00 |

Prices 2023



Original Fink Electric Fence

Just the original ! Directly from the inventor.



Gate Handles

For gates we recommend our electronic ribbon with special gate handles.

| | Art.-Nr. | Price/Piece |
|---|----------|-------------|
| 4 cm special handles for the 4 cm elektronik ribbon | 6081 | € 4,90 |
| 6 cm special handles for the 6 cm electronic ribbon | 6181 | € 5,10 |

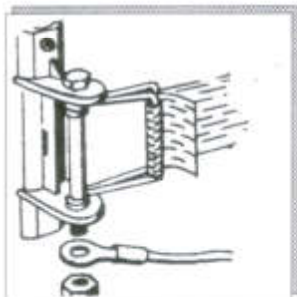
To reorder or Extra orders:

| | | |
|------------------------------|-------|--------|
| 4 cm extra clamps per piece | 6077 | € 0,80 |
| 6 cm extra clamps per piece | 6177 | € 0,90 |
| Carriage bolt for 4 cm fence | 61763 | € 0,25 |
| Carriage bolt for 6 cm fence | 61762 | € 0,25 |
| Handles for electronic rope | 60801 | € 2,75 |
| Distanzrole for 4 cm fence | 61812 | € 0,15 |
| Distanzrole for 6 cm fence | 61811 | € 0,15 |



Metal- meadow gates—completely with fittings

| | | |
|-------------------------|------|----------|
| 1,00 -1,70 m metal-gate | 6604 | € 130,00 |
| 2,00- 3,00 m metal-gate | 6605 | € 160,00 |
| 3,00 -4,00 m metal-gate | 6606 | € 180,00 |
| 4,00 -5,00 m metal-gate | 6607 | € 220,00 |
| 5,00 -6,00 m metal-gate | 6608 | € 260,00 |



Power connection

You can firmly connect your fence-system with the contact-eye to the Meadow -Energizer, or you use contact-clips. Both can also be used as power-connection between the different lines of ribbon.

| | | |
|--|------|--------|
| Kontakt-eye | 6098 | € 1,00 |
| Kontakt-cable per Meter (please tell us your supply, The role is about 25 m) | 6097 | € 1,30 |



Warning signs

Warn curious people. It is sad by the professional association to hang up warning signs every 100 m of the outside fence.

| | | |
|--------------|------|--------|
| Warning sign | 6090 | € 3,00 |
|--------------|------|--------|

Prices 2023



Original Fink Electric Fence

Just the original ! Directly from the inventor.

Meadow-Accessories

Accessories

| | | | |
|-----------------------------------|--|------|----------|
| Digital-Fence-Tester | The instrument for professionals: infinitely measuring from 1000 V to 10000 V - exakt digital display | 6092 | € 45,00 |
| Fence-Tester | 5-steps, shows voltage from 1000 V – 5000 V | 6091 | € 13,00 |
| Lithnig protection | For all mains appliances regulated. easily to assemble. | 6085 | € 14,00 |
| Earthing-Sticks | The earthing is one of the most important things concerning the power of the fence. Place 3 galvanized earthing sticks with a distance of 3-6 m. | 6089 | € 10,00 |
| Fence-switch | The easiest way to switch the electric fence on or off. | 6093 | € 9,50 |
| Metal-battery compartement | lockable battery-compartment made out of galvanized steel. Room for an Euro-Guard-Instrument and battery. Protection against robbery | 6099 | € 150,00 |

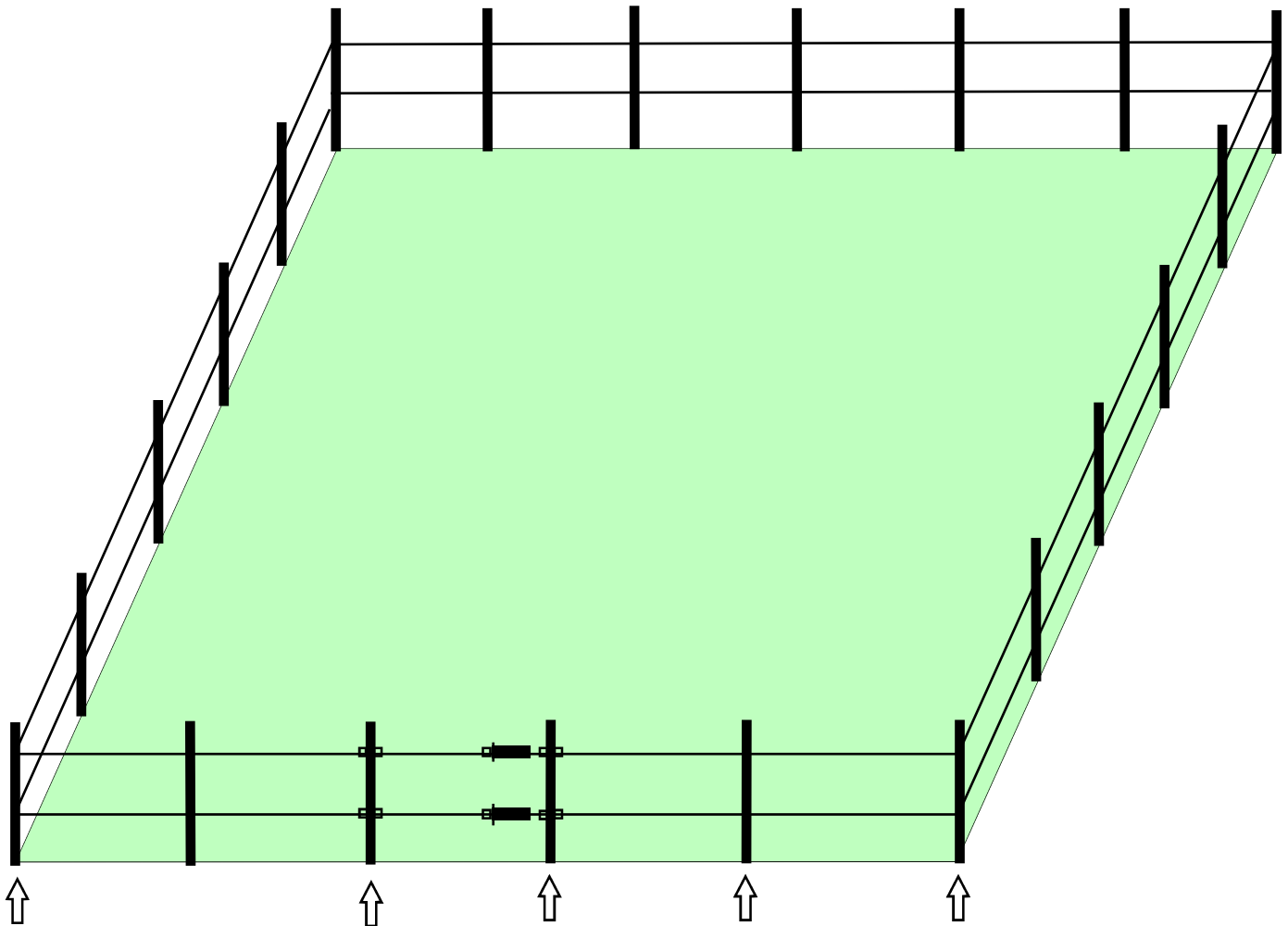
Prices 2023



Original Fink Electric Fence

Just the original ! Directly from the inventor.

Direction for a correct funktioning electronic fence



MF-Starter
with
2 extra clamps

2 extra clamps
to attach the
electric ribbon
of the gate

MF-Starter
with
2 extra clamps

1 extra clamps
to put the
handles on
their hinges

Universal-
Insulator

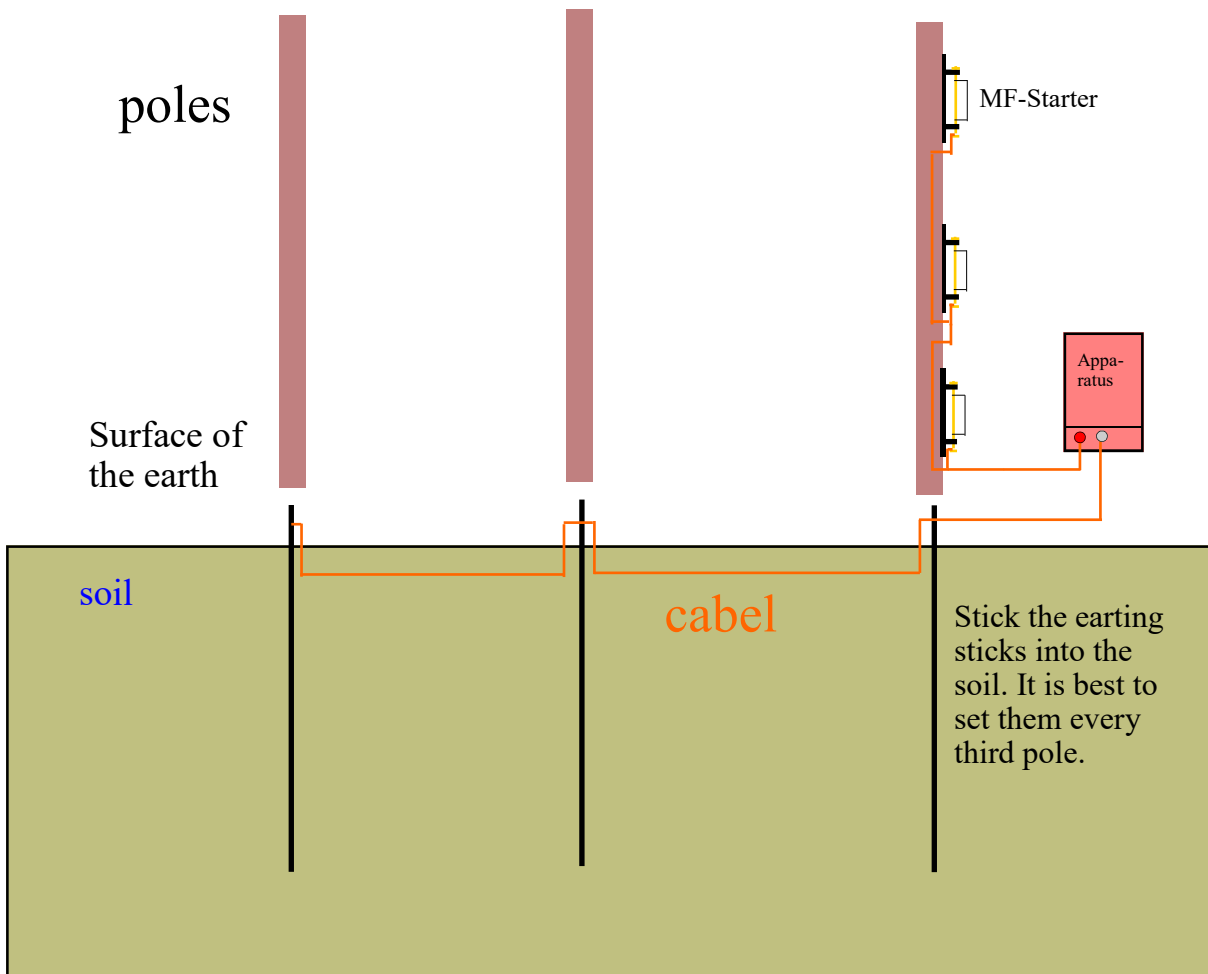
MF-Edge-Insulator



Original Fink Electric Fence

Just the original ! Directly from the inventor.

Direction for a correct funktioning electronic fence



The electric apparatus sends electronic impulses of 4 – 8000 Volt, but minimalized Ampere-pressure. Around the electronic ribbon there is build a magnetic field. The more the electronic ribbon is conductive, the stronger is the magnetic field. Insurances ask for a minimum pressure of 4000 V. The discharge energy at the ribbon is to be sed in Joule and tells the efficiency of the apparatus. The circuit closes with the bodily contact of the horse with the ribbon to the earth and so also to the grounded apparatus. The horse feels the impulse, that is unpleasant for horses and humans but harmless.

see – feel – respect



Original Fink Electric Fence

Just the original ! Directly from the inventor.





Original Fink Electric Fence

Just the original ! Directly from the inventor.

